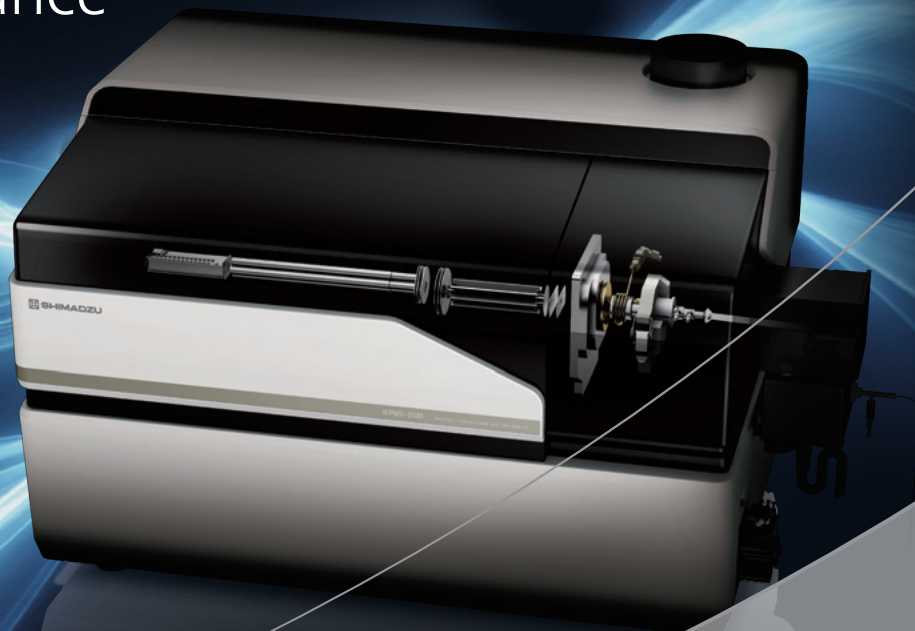


Accelerating
Reliable Performance



Shimadzu ICPMS-2030 Inductively Coupled Plasma Mass Spectrometer

Quantitation of Trace Elements in Beer Using Shimadzu ICPMS-2030 Inductively Coupled Plasma Mass Spectrometer

- ▶ A newly developed collision cell provides high sensitivity and low interference.
- ▶ A unique system developed by Shimadzu results in the industry's lowest running costs*.

*As of February 2016, based data obtained by Shimadzu

Quantitation of Trace Elements in Beer Using the ICPMS-2030

- Raw materials and the brewing process affect the concentrations and speciation of trace elements included in beer. Such trace elements can have a significant effect on the taste, color, shelf-life, and the safety of beer. The ICPMS-2030 allows the precise measurement of the trace elements in beer at low cost.

Sample Pretreatment and Measurement Procedures

Two kinds of undiluted commercial beer were measured with the ICPMS-2030 after they were degassed. The concentrations of Ni, Cd, Sb and Pb in the undiluted beer were determined by the calibration curve method (internal standard method). Figure 1 shows the calibration curve of Pb.

System Configuration

▶ ICPMS-2030



▶ AS-10 Autosampler



Measurement Conditions

RF Power	1.2 kW
Plasma Gas Flow Rate	8.0 L/min
Aux. Gas Flow Rate	1.10 L/min
Carrier Gas Flow Rate	0.65 L/min
Sample Introduction	Nebulizer 07
Spray Chamber	Electronically-cooled Cyclonic
Torch	Shimadzu mini-torch
Collision Gas	He
Conc. of Standards	0, 2, 5, 10 µg/L (in 5% EtOH)
Internal Standards	10 µg/L Ga, In, Tl

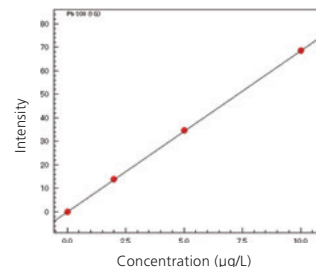


Fig.1 Calibration Curve for Pb

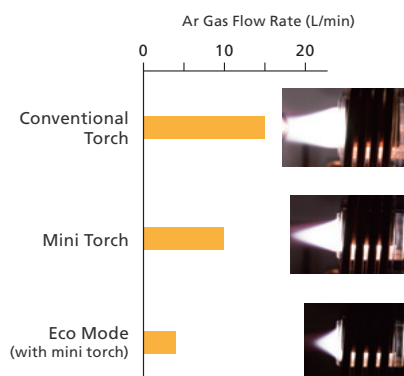
Measurement Results

Table 1 shows the measurement results. The collision cell provides high sensitivity and low interference, the detection limit of the ICPMS-2030 for Ni, Cd, Sb and Pb is much lower than their concentrations in the beer obtained by the measurement. The additional recovery for each element is within 10% of deviation.

Table 1 Measurement Results for Trace Elements in Beer

Measured Element	Ni	Cd	Sb	Pb
Mass Number	60	111	121	208
Detection Limit (3σ) (µg/L)	0.007	0.002	0.0006	0.0004
Beer 1 (µg/L)	4.4	0.051	0.16	0.15
Beer 2 (µg/L)	1.8	0.007	0.23	0.095
Additional Recovery (%)	107	101	108	101

- Shimadzu's proprietary mini-torch plasma system significantly reduces running cost by reducing argon gas consumption and using lower-purity argon gas.



- Unique combination of mini-torch and eco mode developed by Shimadzu reduces consumption of argon by 50% compared with a conventional torch.
 - * Mini-torch Plasma Unit : 10 L/min during measurement (Conventional 18 L/min)
 - * Eco Mode: 5 L/min during standby
- Compatible with low-purity (99.95%) argon
 - * Expensive, high-purity (≥99.999%) argon no longer necessary



Shimadzu Corporation
www.shimadzu.com/an/

For Research Use Only. Not for use in diagnostic procedures.

This publication may contain references to products that are not available in your country. Please contact us to check the availability of these products in your country.

Company names, products/service names and logos used in this publication are trademarks and trade names of Shimadzu Corporation, its subsidiaries or its affiliates, whether or not they are used with trademark symbol "TM" or "®".

Third-party trademarks and trade names may be used in this publication to refer to either the entities or their products/services, whether or not they are used with trademark symbol "TM" or "®".

Shimadzu disclaims any proprietary interest in trademarks and trade names other than its own.

The contents of this publication are provided to you "as is" without warranty of any kind, and are subject to change without notice. Shimadzu does not assume any responsibility or liability for any damage, whether direct or indirect, relating to the use of this publication.