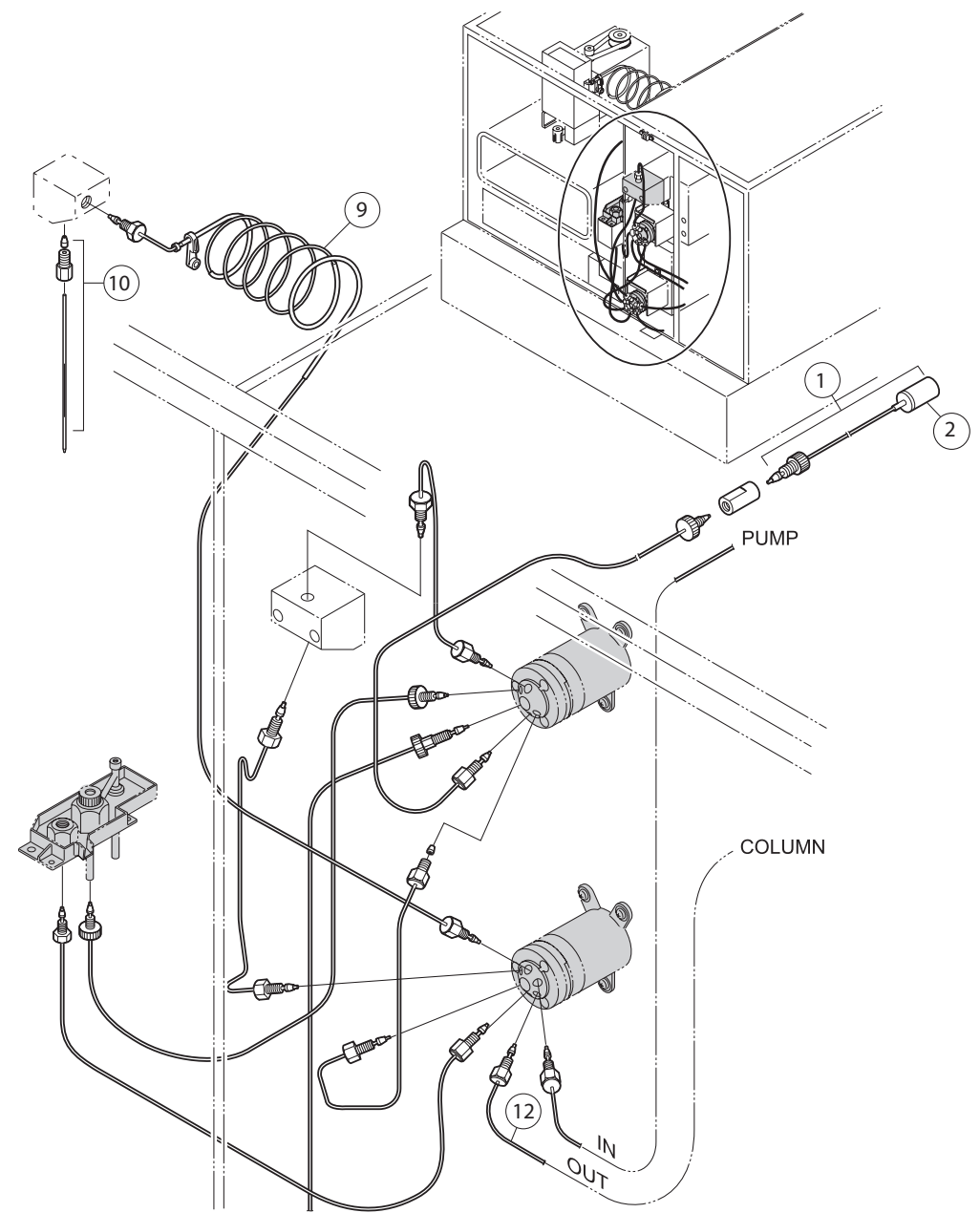
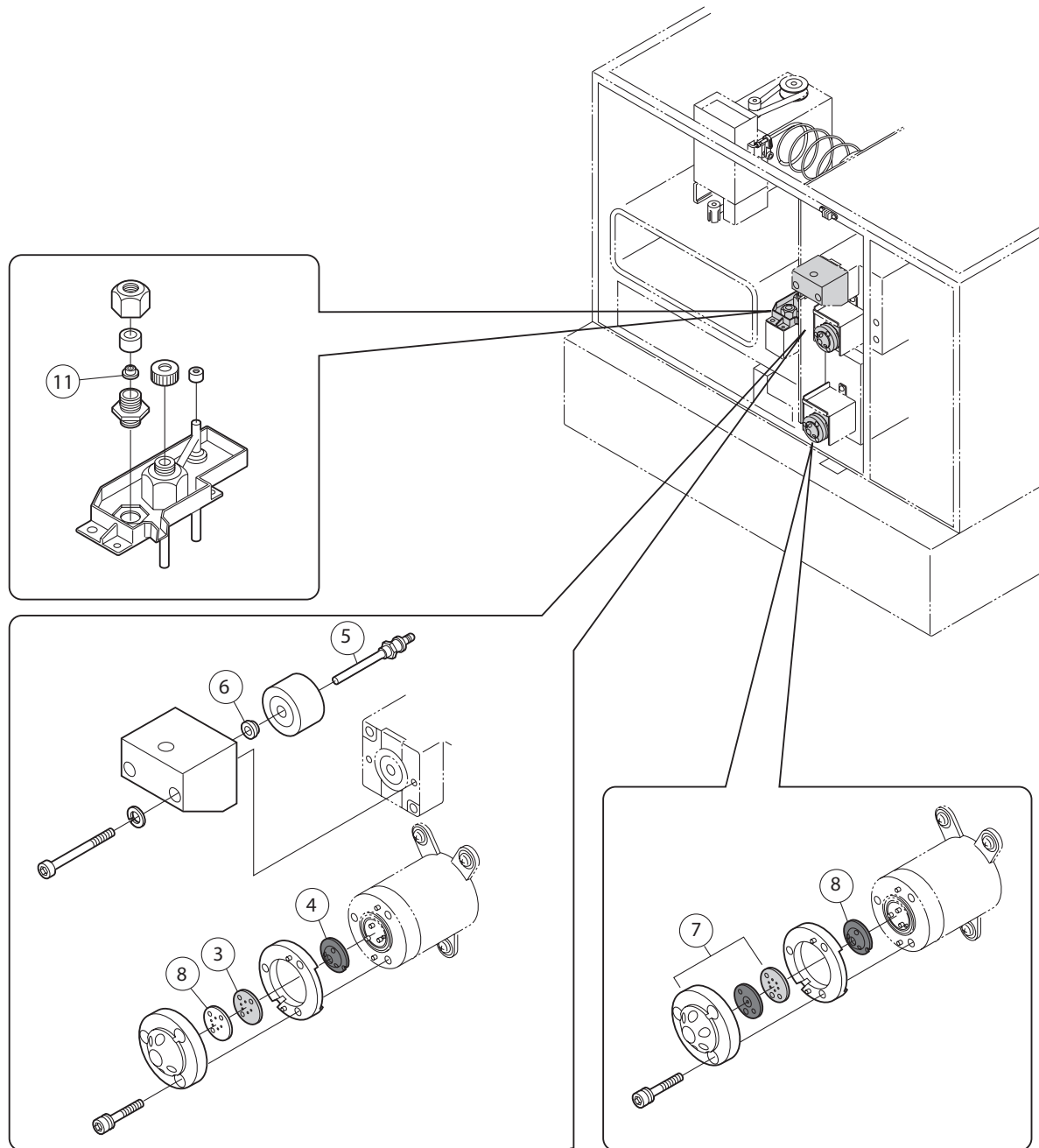


SIL-HTa/HTc



- | | | |
|----|--------------------------------|--------------|
| 1 | Suction Filter Assembly | 228-45708-91 |
| 2 | Suction Filter (no tubing) | 228-45707-91 |
| 3 | Low Pressure Valve Stator | 228-36917-01 |
| 4 | Low Pressure Valve Rotor | 228-36923-00 |
| 5 | Metering Pump Plunger Assembly | 228-35010-91 |
| 6 | Metering Pump Seal | 228-35145-00 |
| 7 | High Pressure Valve Stator | 228-41185-92 |
| 8 | High Pressure Valve Rotor | 228-41310-92 |
| 9 | 100 uL Sample Loop | 228-41370-91 |
| 10 | Needle | 228-41024-92 |
| 11 | Needle Seal | 228-33355-01 |
| 12 | SUS Outlet Tubing 0.25 mm | 228-41380-93 |