

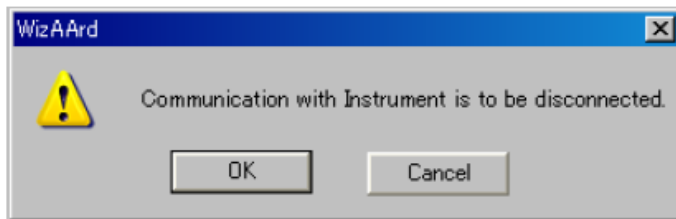
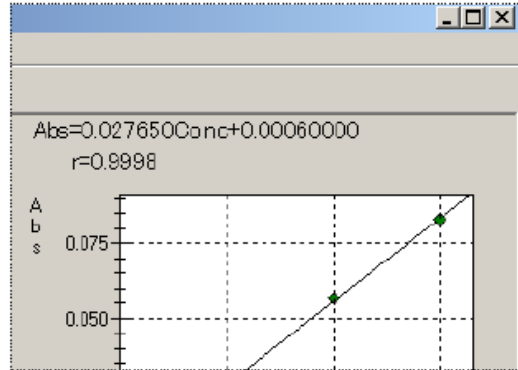
AA – Preparing your instrument for shutdown

- For flame analysis, aspirate DI water through the instrument for 5 minutes to flush it out. For Graphite furnace analysis, do 3-5 injections of DI water to clean out the system
- If the flame is lit, press the red 'Extinguish' button to turn off the flame.

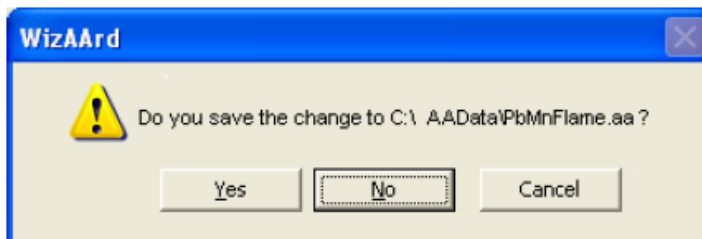


- Exit out of the software

To terminate the measurement and shutdown the instrument, [Exit] in [File] is clicked or [x] at the upper right of main screen is clicked.



[OK] in the left window is clicked. If the data is not saved, following message window comes up.

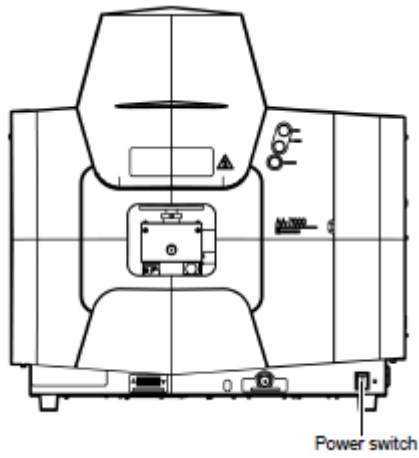


If the change to the file was not saved, the message comes out. Save the file, if necessary.

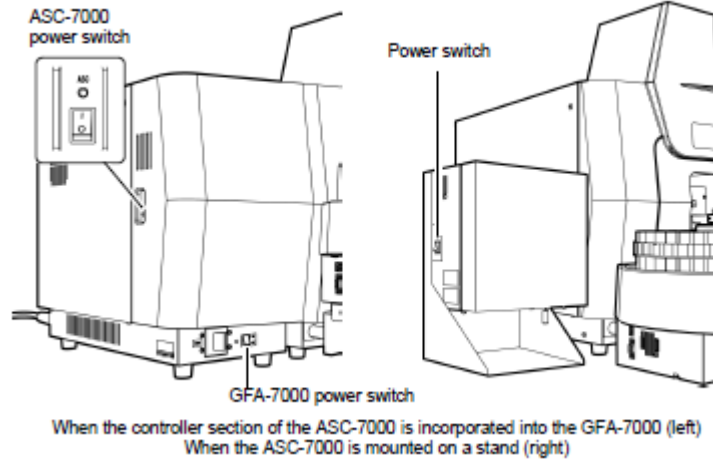
The communication with the instrument is shut off and the software is closed.

- Turn the power off on all applicable instruments.

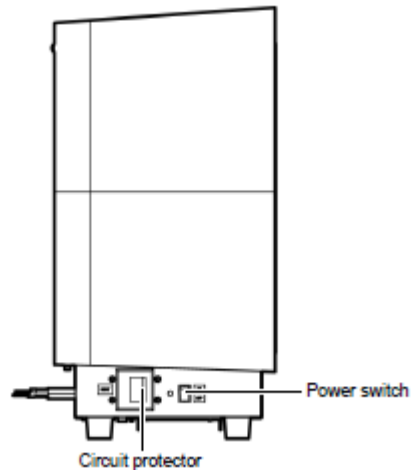
- Main unit



- Auto-sampler



○ Graphite Furnace



- Turn off all gases at the source
- Turn off chiller or cooling water supply if applicable.