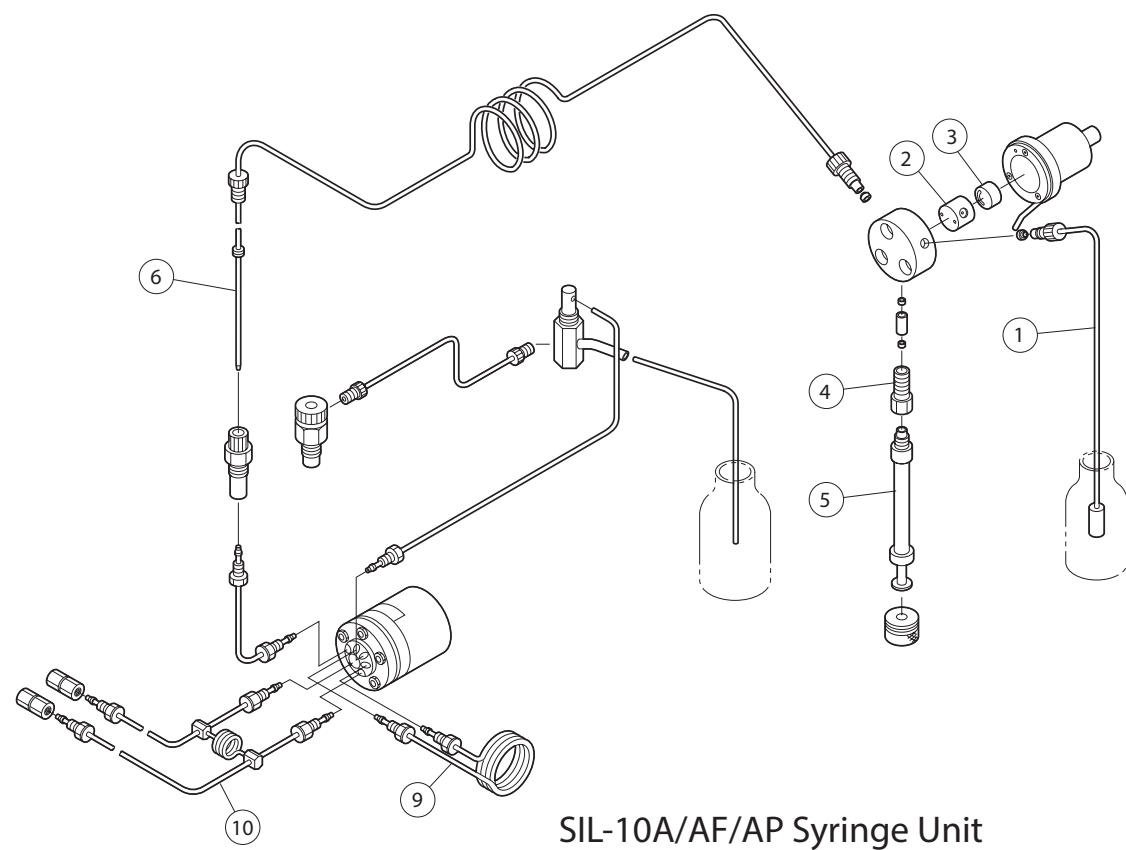
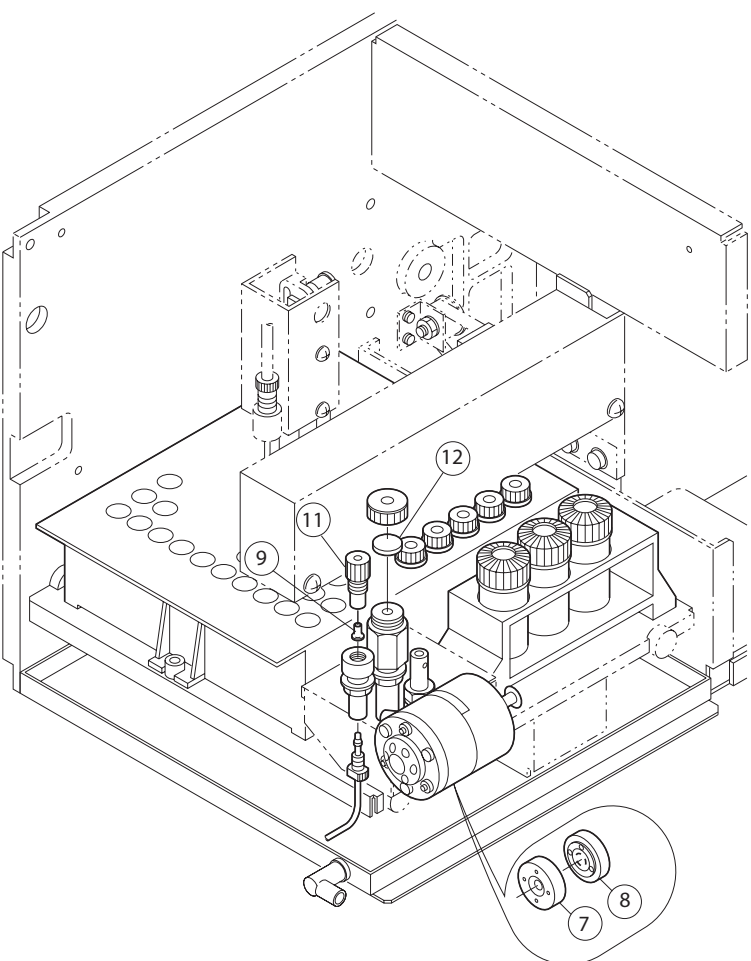
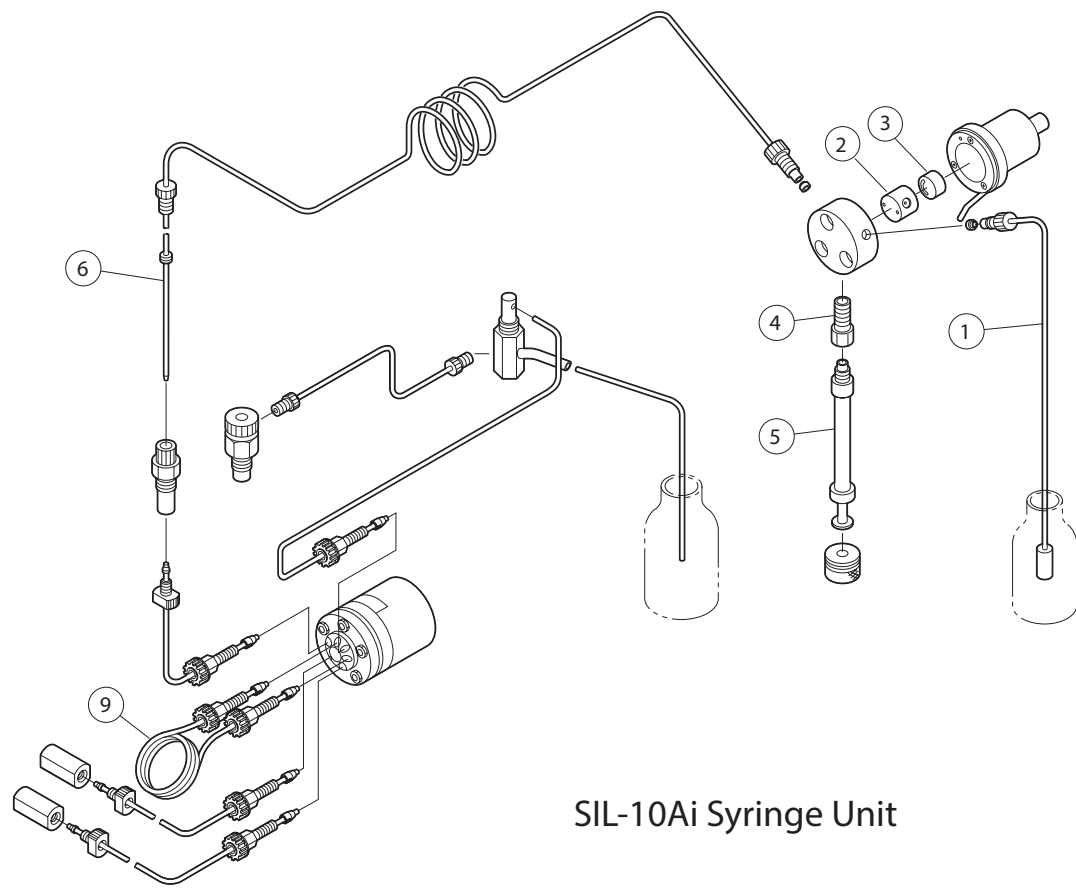


# SIL-10A/AF/AP/Ai Main Body



SIL-10A/AF/AP Syringe Unit



SIL-10Ai Syringe Unit

- |    |                                      |              |
|----|--------------------------------------|--------------|
| 1  | Suction Filter Assembly              | 228-25233-91 |
| 2  | Stator (3-way Valve)                 | 228-23490-00 |
| 3  | Rotor (3-way Valve)                  | 228-34417-04 |
| 4  | Syringe Adapter (SIL-10A/AF/AP)      | 228-36457-00 |
|    | PEEK Syringe Adapter (SIL-10Ai)      | 228-28616-00 |
| 5  | 500 uL Syringe (SIL-10A/AF/Ai)       | 228-25237-04 |
|    | 5 mL Syringe (SIL-10AP)              | 228-25237-07 |
| 6  | Needle Assembly (SIL-10A/AF/AP)      | 228-20243-93 |
|    | Needle Assembly (SIL-10Ai)           | 228-20243-95 |
| 7  | Stator (6-port Valve; SIL-10A/AF/Ai) | 228-21220-91 |
|    | Stator (6-port Valve; SIL-10AP)      | 228-21220-92 |
| 8  | Rotor (6-port Valve; SIL-10A/AF/Ai)  | 228-21217-91 |
|    | Rotor (6-port Valve; SIL-10AP)       | 228-21217-93 |
| 9  | 50 uL Loop (SIL-10A/AF)              | 228-21038-91 |
|    | 50 uL Loop (SIL-10Ai)                | 228-33231-91 |
|    | 5 mL Loop (SIL-10AP)                 | 228-39389-94 |
| 10 | Bypass Assembly (SIL-10A/AF/AP)      | 228-15154-91 |
| 11 | Needle Seal                          | 228-21227-91 |
| 12 | Rinse Port Septa (100/pack)          | 228-21290-91 |